

MediLED3

Examination Light



The MediLED3 Examination Light delivers consistent color temperature of 4300K with CRI of 95, R9 95: this helps reveal the maximum perception of true tissue colors and makes the light one of the best LED examination lamps in the market. Each MediLED3 lighthead is equipped with a sterile handle which allows focus adjustment between 160mm~200mm. A Lighting Control Knob located at side of lighthead gimbals allows the user to turn the light ON/OFF and adjust the intensity easily. A clean and simple design of the light serves all diagnostic needs.



MediLED3W



MediLED3MB



Configurations & Technical Specifications

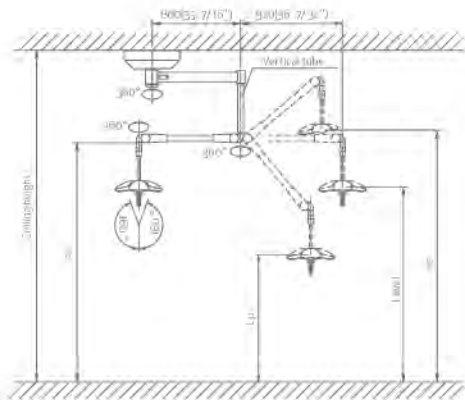
Configurations	
MediLED3	MediLED3 lighthouse ceiling mounted
MediLED3W	MediLED3 lighthouse wall mounted
MediLED3MB	MediLED3 lighthouse on a mobile stand equipped with rechargeable batteries

MB: mobile and built-in rechargeable batteries **W:** wall-mounted

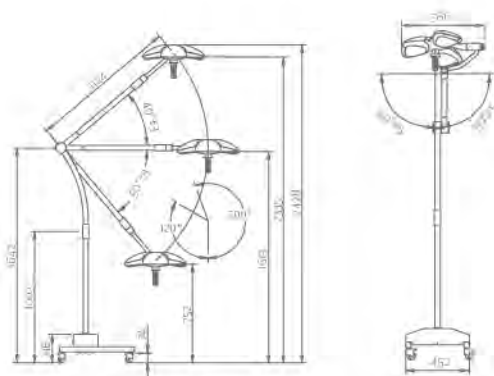
Technical Specifications	
Diameter of Lighthouse (cm)	48.5
Maximum Light Output Measured in 1m (lux), E _c	65,000
Color Temperature (Kelvin)	4,300
Color Rendering Index (CRI)	95
Red Color Index (R _g)	95
Total Irradiance E _e (W / m ²)	214.5
Radiant Power / Intensity E _e / E _c (mW / m ² lux)	3.3
Light Field, d10 (cm)	18
Light Field, d50 (cm)	9
Pattern Size(cm)	16~20
Number of LEDs	24
Average LED Life (hours)	50,000
Power Consumption (W)	24

NOTE: For more information, please contact your Mediland sales representative.

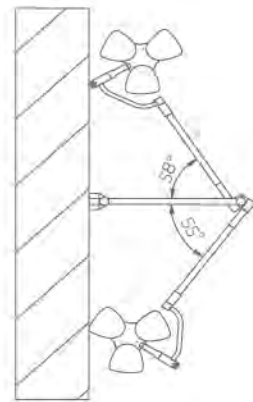
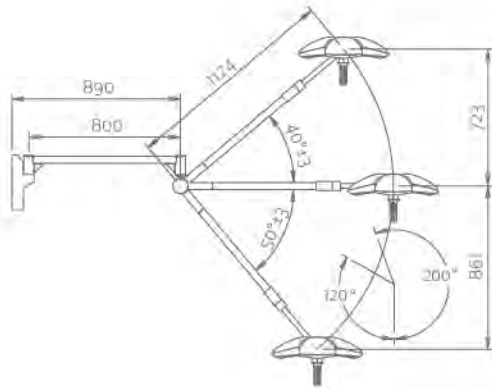
MediLED3



MediLED3MB



MediLED3W



Unit : mm



Mediland Enterprise Corporation
Headquarters

No. 75, Wenhwa 1st Rd., Kueishan Township,
Taoyuan County 33382, Taiwan, R.O.C.

Phone 886-3-328-9140
Fax 886-3-328-8881

international@mediland.com.tw
www.mediland.com.tw

Branch

No. 29, Qinhuai Rd., Jiangning Economic &
Technological Development Zone, Nanjing,
Jiangsu, China

Phone 86-25-5791-8595
Fax 86-25-5791-8590



Printed in Taiwan, Nov. 2014 All rights reserved.
Mediland Catalogue Ref No. M2011Nov-F-01-V3